

HEX Series LED Exit Sign

Hazardous Locations

NEC: Class I, Division 2, Groups A, B, C, D | Class I, Zone 2, Groups IIA, IIB, IIC | IP66 | Suitable for Use in Wet Locations

Applications

- For use in locations where:
 - An exit route or path of egress needs to be emphasized
 - Flammable gases and vapors may be present
 - A high degree of corrosion resistance is required
 - Protection against dirt, water and moisture is necessary
- Typical applications include:
 - Oil refineries
 - Petrochemical facilities
 - Waste and sewer treatment
 - Underground tunnels
 - Analyzer houses
 - Processing areas
 - Hydrogen and Biofuels plants
 - LNG (Liquid Natural Gas) plants

Features

- Dual voltage fixture can run at 120 or 277 Vac, 60 Hz.
- 6 kV surge protection.
- Emergency models are equipped with a 4.8 V rechargeable nickel cadmium (NiCd) battery that lasts a minimum of ninety minutes.
- Self diagnostic feature performs monthly, biannual, and annual tests ensure reliable operation.
- Magnet flash can prompt diagnostic test to run on demand (test magnet included with unit).
- Bright and long lasting Red or Green LEDs.
- LED indicator visually communicates fixture operational status.
- Directional arrows can be snapped out at time of installation.
- 1/2" NPT conveniently located on top of enclosure to support wiring and pendant mounting.
- Mounting brackets and hardware included for wall mounting (applicable to single sided units).
- Ambient temperature: -20 °C to +50 °C (-4 °F to +122 °F).
- 5 year standard warranty on fixture, 3 year warranty on battery.



Options

- Single sided or double sided.
- Red or green text to suit end user preferences and local code regulations.
- AC powered or 90 minute battery backup.
- 120 or 277 Vac operation.
- Tamper proof screws available upon request.

Standard Materials

- Battery: nickel cadmium
- Housing: fiberglass reinforced polycarbonate
- Lens: UV stabilized polycarbonate
- Screws: stainless steel
- Mounting bracket: die-cast aluminum

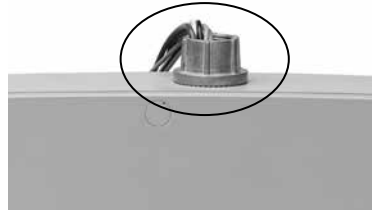
NEC Certifications and Compliances

- UL Standard: UL 844; UL 924
- UL listed for wet locations
- UL Listed: E175025
- NFPA 101 Life Safety Code
- Meets requirements listed in OSHA 1910.37

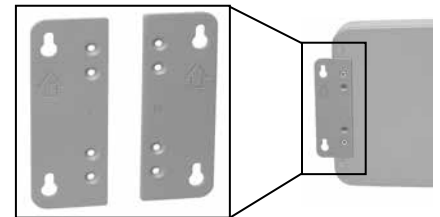
Illustrated Features



Directional arrows can easily be snapped out at time of installation.



All units can be pendant mounted using the 1/2" NPT hub.



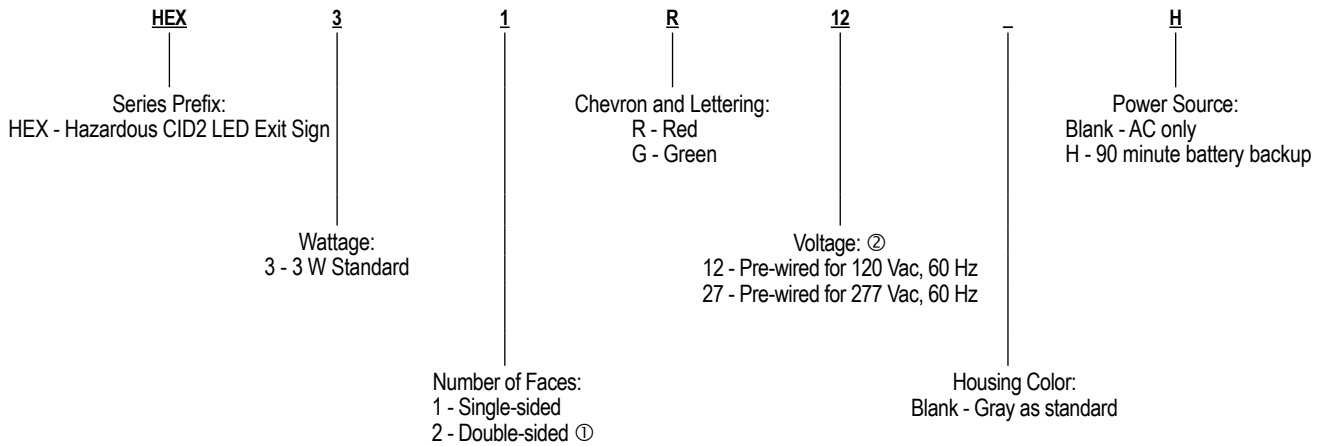
All single sided units come with mounting brackets and hardware for easy wall mounting.

HEX Series LED Exit Sign

Hazardous Locations

NEC: Class I, Division 2, Groups A, B, C, D | Class I, Zone 2, Groups IIA, IIB, IIC | IP66 | Suitable for Use in Wet Locations

Order Using Catalog Numbering Guide — HEX Series LED Exit Sign



Electrical Specifications

Model	Voltage	Input Power (Watts)	Input Current (Amps)	Power Factor	Total Harmonic Distortion (THD)
HEX	120 Vac	3.0	0.03	> .09	< 20%
	277 Vac	3.0	0.02	> .09	< 20%

Accessories and Replacement Parts

Description	Weight in kg (lbs)	Catalog Number
Replacement Battery Pack (NICAD)	0.11 (.244)	HEXBATTERY
Replacement Face Plate	0.73 (1.60)	HEXFACEPLT
Replacement Back Plate	0.75 (1.66)	HEXBACKPLT
Replacement Lens	0.48 (1.05)	HEXLENS
Tamper Proof Screws	0.004 (0.008)	HEXTPSCREW
Replacement Magnet used for testing	0.03 (0.07)	HEXMAGNET
Replacement Surge Protection component	0.08 (0.17)	HEXSURGE

① Cannot be wall mounted.

② Pre-wired units for 120 Vac can be switched to 277 Vac in field and vice versa. Refer to installation instructions for more details.

HEX Series LED Exit Sign

Hazardous Locations

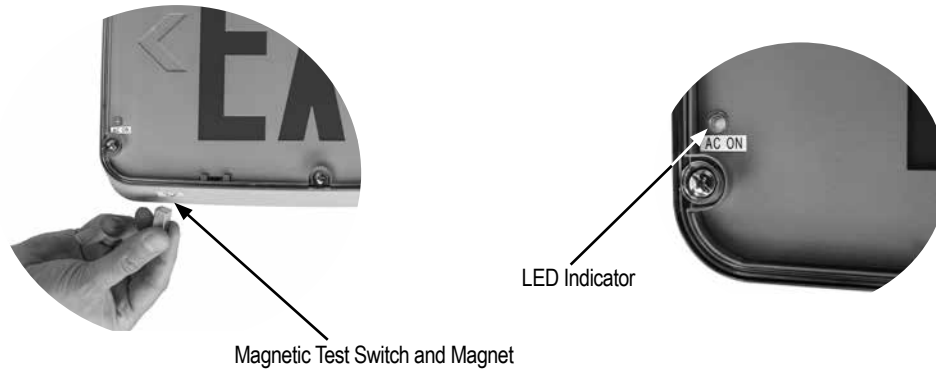
NEC: Class I, Division 2, Groups A, B, C, D | Class I, Zone 2, Groups IIA, IIB, IIC | IP66 | Suitable for Use in Wet Locations

Emergency Battery Backup Self Diagnostic Testing System

After the exit sign unit has been supplied AC power it must be charged for a minimum of 24 hours to allow the battery to be fully charged. Upon being energized, the exit light testing system automatically runs a self diagnostic cycle to check for battery and load connections. Thereafter diagnostic tests are run regularly at preprogrammed intervals described below and can be initiated manually by activating a magnetic test switch (magnet is provided with fixture).

Emergency Battery Backup Functionality - Automatic Diagnostic Testing System

Functional	Full Duration
30 second discharge test occurs every 30 days.	Discharge test occurs every 365 days. Test lasts for full duration of the rated emergency period (90 minutes).
30 minute discharge test occurs every 180 days.	



LED Signals

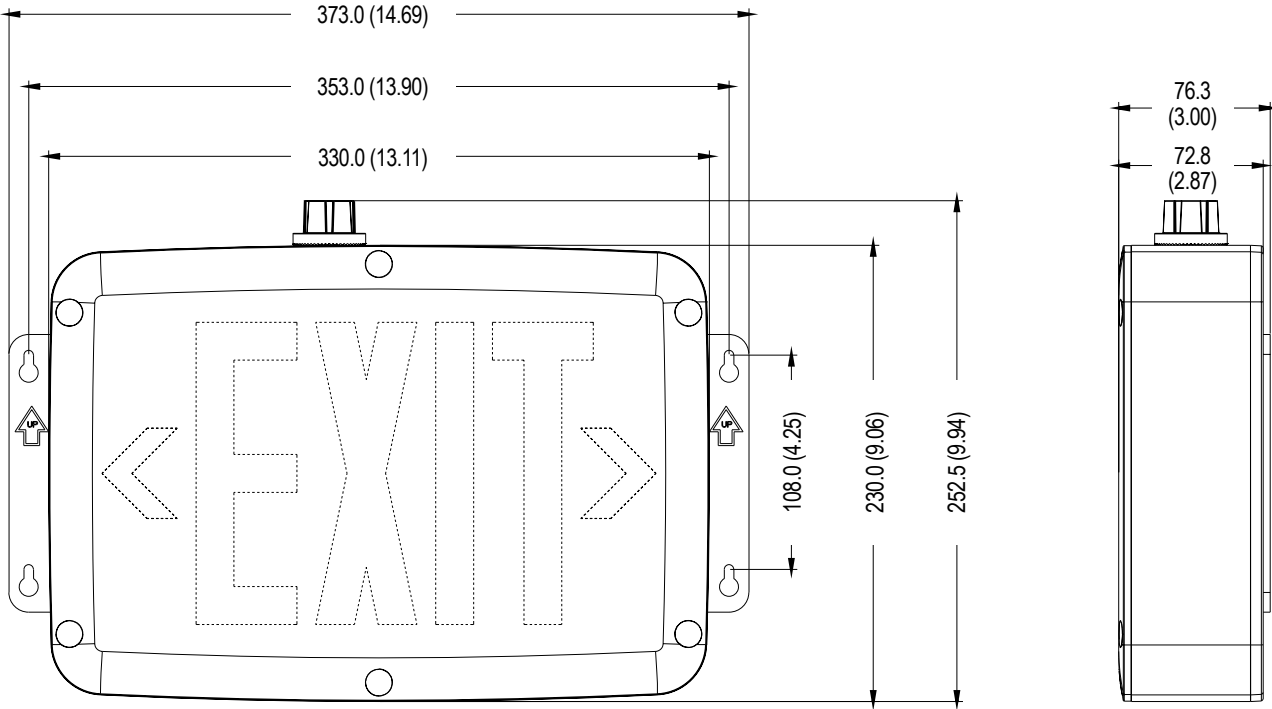
Indicator Color	Timing	Description
Green	Steady On	Battery fully charged
Green	Flashing On/Off	Unit in test mode
Red and Green	Flashing alternatively	Battery recharging
Red	Steady On	Battery disconnected
Red	Flashing On/Off	Battery Failure
None	None/Off	Emergency mode On

HEX Series LED Exit Sign

Hazardous Locations

NEC: Class I, Division 2, Groups A, B, C, D | Class I, Zone 2, Groups IIA, IIB, IIC | IP66 | Suitable for Use in Wet Locations

Dimensions in Millimeters (Inches)



LED Luminaire | Emergency Egress | Hazardous Location | NEC / CEC