

# CK-15-TZ 100cd Solar Power Obstruction light

## Application

Widely used in various fields of the Air Force, civilian airports and obstacle free airspace, helipads, high structures, telecommunication towers, heliport, electrical transmission lines or towers, chimneys, ports, wind turbines, bridge and city high-rise buildings where there are more visible to passing aircraft.

## Key Feature

- Cover of the light adopts PC with anti-UV which is high efficiency light transmission up to 90%, quite high impact resistance and fits the harsh environment very well.
- House of the light is made of aluminum alloy and painted by spraying plastics, the structure is high strength, resistance to corrosion.
- Use the special optical reflector design, the visual range further, angle more accurate, no light pollution.
- Light source adopts import high quality LED, lifespan up to 100,000 hours, low power consumption, energy efficiency and environment protection.
- Based on the single chip computer control, automatic identification sync signal, do not distinguish the main light and auxiliary light, and also could be controlled by the controller.
- Same power supply voltage with synchronous signal, integrate in power supply cable, eliminate the damage by error installation caused.
- Used the photosensitive probe fit for the natural light spectrum curve, automatic control light intensity level.
- The circuit of the light has surge protection, so that the light is suitable for a harsh environment.
- Integral structure, protection level of IP65.
- GPS synchronizing function is available.



Main photo

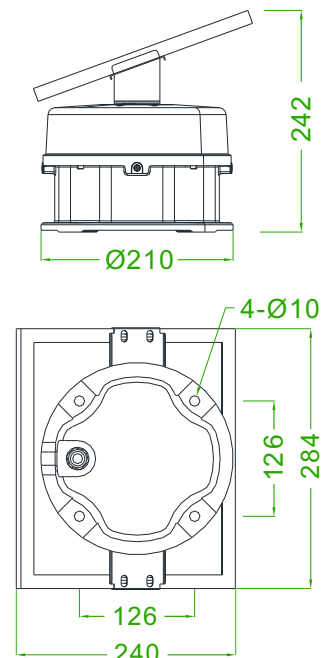


Bottom



Top

## Structure chart



## Parameter

Item	Parameter
Standard	FAA/ICAO Standard
Model	CK-15-TZ
Operating voltage	DC3.7V, others can be customized
Power consumption	≤5W
Flashing frequency	Steady/20FPM
Light source	LED
Light intensity	100 cd
Light source lifespan	> 100,000 hours
Emitting color	Red
Beam angle	360° horizontal / ≥3° vertical
Method of synchronization	/
Overall size(mm)	284mm×240mm×242mm
Installation size(mm)	126mm×126mm-4×M10
Ingress protection	Ip65
Lightning protection	10KA
Background Luminance	<50 cd/m <sup>2</sup>
Operating temperature	-40°C-55°C
Net weight	4.1kg
Wind load	240km/h
Reserve	3-5 days under cloudy/rainy

Solar Panel Type: Monocrystalline  
 Solar Panel Dimension: 284\*260\*15mm  
 Solar Panel Power Consumption/Voltage:12W/7V  
 Solar Panel Lifespan: 20 years

Battery Type: Li-Po battery  
 Battery Capacity: 8AH  
 Battery Voltage:3.7V  
 Battery Lifespan: 5-6 years